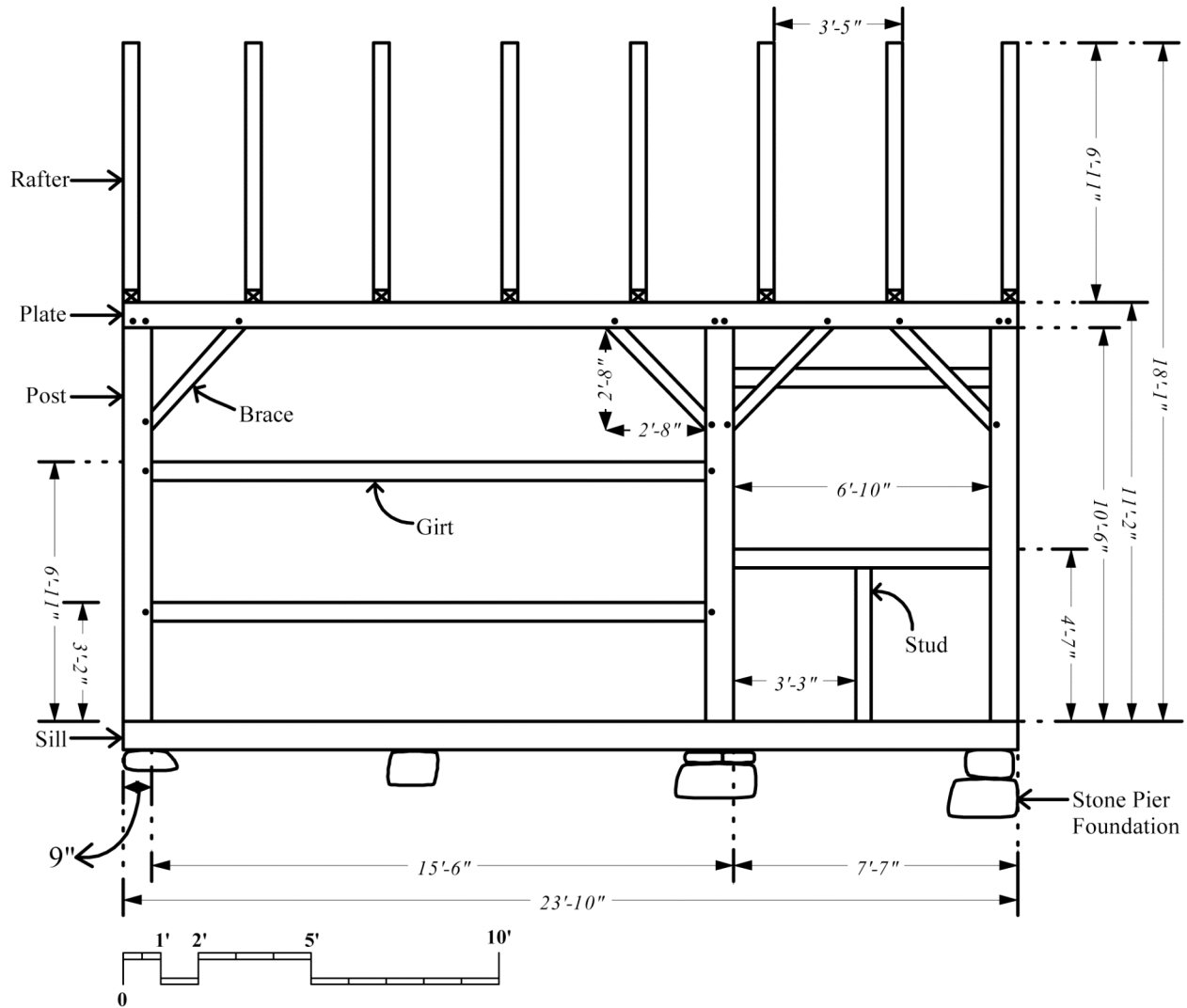


HISTORIC BARNs OF NIPMOOSE

CORN CRIB STRUCTURAL DRAWING: NORTHEAST ELEVATION



BEAM DIMENSIONS: WIDTH AND DEPTH

Brace: 4 in. wide x 3 in. deep

Girt: 6 in. round pole

Plate: 8 in. wide x 8 in. deep

Post: 9 in. x 9 in. (set at angle)

Rafter: Tapered round pole 5 in. at base

Sill: 9 in. wide x 9 in. deep

Stone Pier Foundation: Height ranges from 6 in.–1 ft. 8 in. x 12 in. deep

Stud: 3 in. wide x 2 in. deep